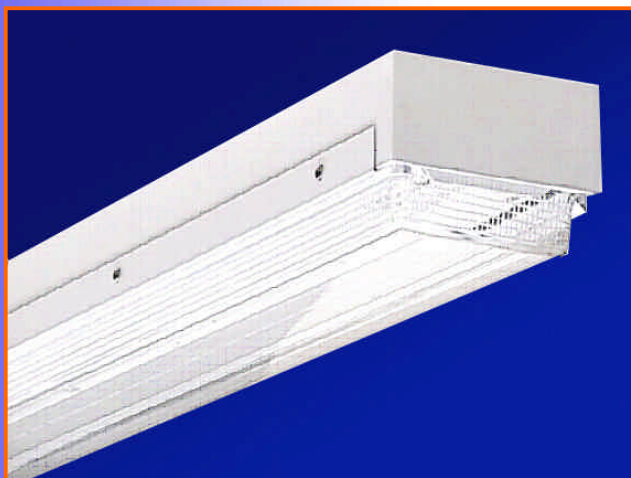



BAMBURGH - Amenity Lighting Range



Standard



Angled

- Vandal Resistant Design
- Steel fabricated body
- Removable geartray
- 

Description

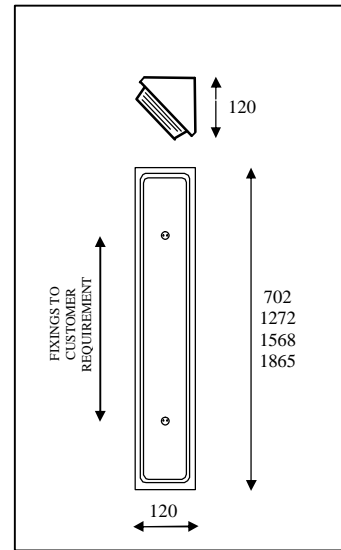
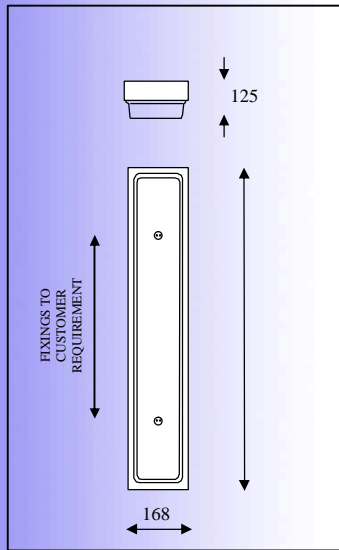
The BAMBURGH range of Vandal Resistant IP54 luminaires is suitable for many arduous lighting applications. The EPC coated steel body is available in white textured finish as standard. The fitting is available in various colours to special order.

The Polycarbonate clear stippled controller is held in place by full length side rails, locked by high security stainless steel screws and is very resilient to attack. The lens is sealed to the body with a rubber gasket and has an IP54 rating. The geartray is manufactured from mild steel and is EPC coated in white gloss. The geartray will accept all gear type combinations and is removable for ease of maintenance. Versions are available using high frequency electronic ballasts, dimmable and standard and also with integral emergency gear. The advantage of the electronic ballasts is that they produce virtually instant light and have a long life.

All luminaires in this range are designed to comply with BS EN 60598 and are suitable for operating in interior applications. Each luminaire also complies with European Directive 89/336/EEC and carries the CE mark.

High Technology Lighting Ltd has a policy of continual design and development. As a result specifications and dimensions are subject to change without notice.

Luminaire Data Sheet



PRODUCTS AVAILABLE

Code	Description	Code	Description
BGHS 118	18W 2ft/600mm single luminaire	BGHA 118	18W 2ft/600mm single luminaire
BGHS 136	36W 4ft/1200mm single luminaire	BGHA 136	36W 4ft/1200mm single luminaire
BGHS 158	58W 5ft/1500mm single luminaire	BGHA 158	58W 5ft/1500mm single luminaire
BGHS 170	70W 6ft/1800mm single luminaire	BGHA 170	70W 6ft/1800mm single luminaire
BGHS 218	2x18W 2ft/600mm twin luminaire	BGHA 218	2x18W 2ft/600mm twin luminaire
BGHS 236	2x36W 4ft/1200mm twin luminaire	BGHA 236	2x36W 4ft/1200mm twin luminaire
BGHS 258	2x58W 5ft/1500mm twin luminaire	BGHA 258	2x58W 5ft/1500mm twin luminaire
BGHS 270	2x70W 6ft/1800mm twin luminaire	BGHA 270	2x70W 6ft/1800mm twin luminaire
	/ES		electronic starter switches
	/HF		high frequency control gear
	/HFD		high frequency dimmable gear
	/EM		3 hour maintained emergency
	/B		black finish

Applications

The BAMBURGH range of luminaires is suitable for many interior and exterior applications. The construction and design of these luminaires means that all versions are resilient to attack. They are suitable for areas where vandalism is frequent. Such areas could be:

- Public parking areas
- Circulation areas of Public buildings
- Sports Hall lighting
- Pedestrian subways
- Shopping Centres
- Warehouses
- Schools and Educational establishments
- Public areas in Hospitals

High Technology Lighting Ltd has a policy of continual design and development. As a result specifications and dimensions are subject to change without notice.