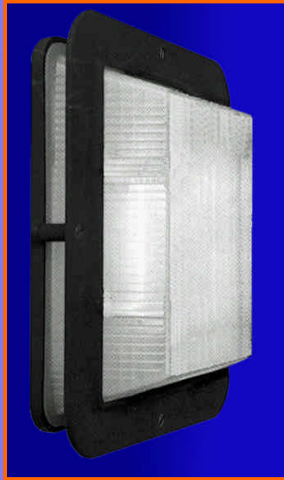



Security Luminaires

BELFORD - Amenity Lighting Range



- *Attractive design*
- *Cast Alloy body and Polycarbonate diffuser*
- *Stainless Steel screws*
- *Available in white or black finish*
- *Excellent Photometric Performance*
- 

Description

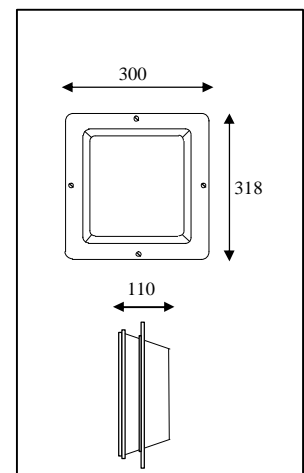
A range of Vandal Resistant luminaires for a multitude of uses. The base and frame are made from die-cast aluminium alloy and have a polyester resin coating which is highly corrosion resistant. The finish is available in white or black finish. The diffuser is made from UV stabilised polycarbonate. The frame is fixed to the base by four allen type stainless steel screws.

The reflector is made from sheet steel and is painted in a white colour. The luminaire is sealed to give IP55 protection.

Versions are available using 16W 2D and PL lamps and with standard switchstart or optional HF electronic control gear. In addition, integral 3hr maintained emergency gear can also be fitted. All luminaires in this range are designed to comply with BS EN 60598 and are suitable for operating in exterior applications. Each luminaire also complies with European Directive 89/336/EEC and carries the CE mark.

PRODUCTS AVAILABLE

Catalogue No.	Description
BEL 162D	16W 2D square IP55 luminaire
BEL 209PL	2x9W PLS square IP55 luminaire
BEL 218PL	2x18W PLL square IP55 luminaire
/ERM	3 hour maintained remote emergency
/HF	high frequency control gear
/W	white polyester finish
/B	black polyester finish



Applications

The BELFORD range of luminaires is suitable for wall and ceiling mounting. The unique design ensures that all types are extremely resilient and are therefore suitable for use in highly volatile areas where vandalism is prevalent. Such areas could be:

- General building exteriors
- Circulation areas in high rise council housing
- Public areas of Local Authority buildings
- Bus station public areas
- Public conveniences
- Public areas in parks
- Security lighting applications

High Technology Lighting Ltd has a policy of continual design and development. As a result specifications and dimensions are subject to change without notice.