


**HIGH FORCE – Stainless Steel Industrial Lighting Range**



- Stainless Steel Body
- 5mm Thick Polycarbonate Prismatic Lens
- Sealed To Provide Ingress Protection of IP66
- Removable Gear Tray
- Strong Impact Resistant Luminaire
- 

**Description**

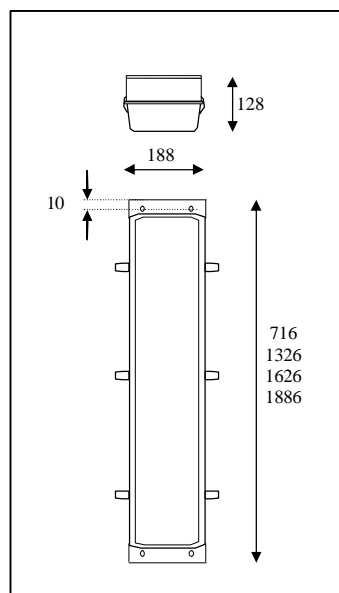
**HIGH FORCE** – a range of stainless steel impact resistant luminaires is suitable for many exterior and marine lighting applications. The strong body is manufactured from stainless steel and the prismatic controller is made from polycarbonate. The controller is fixed to the body with stainless steel clips.

The geartray is removable and is made from mild steel. The luminaire is sealed to provide ingress protection of IP66.

All luminaires in this range are designed to comply with BS EN 60598 and are suitable for operating in exterior applications. Each luminaire also complies with European Directive 89/336/EEC and carries the CE mark

**PRODUCTS AVAILABLE**

Catalogue No.	Description
HIF 218	2x18W fluorescent 600mm
HIF 236PL	2x36W compact PLL 600mm
HIF 136	1x36W fluorescent 1200mm
HIF 236	2x36W fluorescent 1200mm
HIF 158	1x58W fluorescent 1500mm
HIF 258	2x58W fluorescent 1500mm
HIF 170	1x70W fluorescent 1800mm
HIF 270	2x70W fluorescent 1800mm
/ES	electronic starter
/HF	high frequency electronic
/EM	3 hour maintained emergency



**Applications**

The **HIGH FORCE** range of stainless steel luminaires is suitable for marine and other exterior applications. The luminaire is a substantial impact resistant fitting and could be used in areas where vandalism occurs. Such areas could be:

- Marine applications
- Food factories
- Clean areas
- Leisure centres
- Chemical plants
- Public conveniences
- Football ground areas
- Dock areas

High Technology Lighting Ltd has a policy of continual design and development. As a result specifications and dimensions are subject to change without notice.

Luminaire Data Sheet