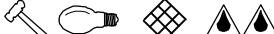


NORHAM - Post Top Lantern Exterior Lighting Range

Luminaire Data Sheet



- Vandal Resistant Polycarbonate lens
- Easy Installation
- Integral photocell option
- Very robust construction
- 

Description

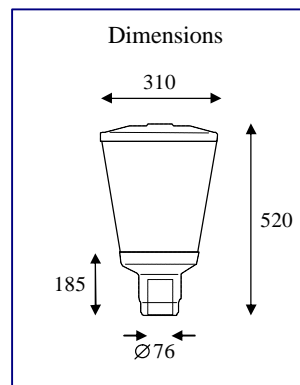
The NORHAM range of exterior IP65 post-top luminaires is suitable for many external lighting applications. The injection moulded gallery and top are available in black finish only. The fitting comes with a clear reeded lens and white upper reflector.

The polycarbonate clear lens is held in place by locking the top cover with security screws and is very resilient to attack. The lens is sealed to the gallery and has an environmentally friendly black top section to reduce unwanted upward light pollution. The geartray is manufactured from steel and will accept various lamp combinations. The geartray is removable for ease of maintenance. The terminal block protrudes below the bottom pole entry to enable installation without opening the fitting on site.

All luminaires in this range are designed to comply with BS EN 60598 and are suitable for operating in interior applications. Each luminaire also complies with European Directive 89/336/EEC and carries the CE mark.

PRODUCTS AVAILABLE

Catalogue No.	Description
NOM 50S	50W SON clear post-top lantern
NOM 70S	70W SON clear post-top lantern
NOM 100S	100W SON clear post-top lantern
NOM 50M	50W mercury clear post-top lantern
NOM 80M	80W mercury clear post-top lantern
NOM 35SX	35W SOX clear post-top lantern
/PS	NEMA photocell socket only



Applications

The NORHAM range of exterior IP65 post top luminaires is suitable for many external lighting applications. The design is aesthetically pleasing but sturdy. All versions are resilient to attack and are suitable for areas where vandalism is frequent. Such areas could be:

- Public parking areas
- Circulation areas
- Amenity lighting in Public parks
- Pedestrian precincts
- Class B Street Lighting
- Perimeters of Public buildings
- Exteriors of Commercial buildings
- Path and access road lighting

High Technology Lighting Ltd has a policy of continual design and development. As a result specifications and dimensions are subject to change without notice.