

QUARTET BROMO



TRACK OR SURFACE MOUNTED SPOT LIGHTS

XICATO SPOT MODULE High output LED module with internal mixing chamber and corrected cold phosphor technology. Available in various lumen outputs, colour temperatures and Ra80 and Ra95.

HEAT SINK Anodised extruded aluminium heat management system ensuring LED lifetime guarantee of 50,000 hours.

OPTICAL CONTROL Metalised spun aluminium reflectors with a range of beam angles.

DRIVER SYSTEM Range of 350mA to 700mA driver systems, which have Dali, Triac and 1-10V dimming options.

BODY Two part, powder coated steel body with adjustable spun aluminium head. Designed to fit Global track systems.


Xicato
Making sense with LEDs



Quartet Bromo 150

Model: Quartet Bromo 150
 Beam Angle: 36° 50°
 Body Colour: Black (B) White (W) Grey (G)
 Control Gear: Standard (S) Dali (D) Triac (T) 1-10V (1-10)

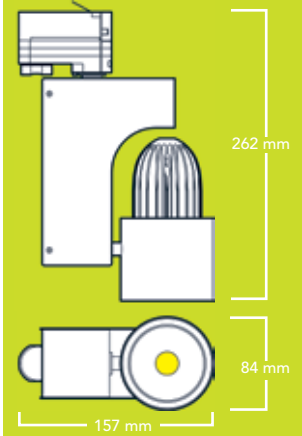
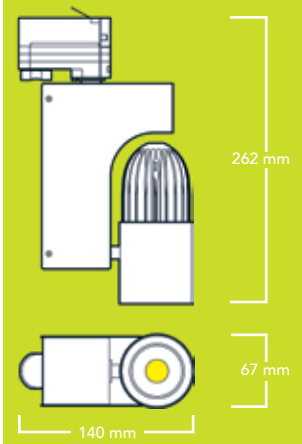
Xicato LED Module			
Lumens	400	700	1000
Colour Temperature		2700K	2700K
	3000K	3000K	3000K
		4000K	4000K



Quartet Bromo 170

Model: Quartet Bromo 170
 Beam Angle: 20° 40° 60°
 Body Colour: Black (B) White (W) Grey (G)
 Control Gear: Standard (S) Dali (D) Triac (T) 1-10V (1-10)

Xicato LED Module			
Lumens	400	700	1000
Colour Temperature		2700K	2700K
	3000K	3000K	3000K
		4000K	4000K



Product code	Module	Control Gear	Lumens	Colour	Beam Angle	Body Colour	Emergency
	Quartet B170	S	700	4000K	60°	B	n/a

Change where appropriate

50K hours	Ra80	digital DALI	phased TRIAC	analogue 1-10	page 26 photometrics
-----------	------	--------------	--------------	---------------	----------------------

colours available



high
 technology
 lighting